



A53

2U Passive Air Cooler

PRODUCT SPECIFICATIONS

Specification Version: 07/01/2023

(Specifications are subject to change without notice)

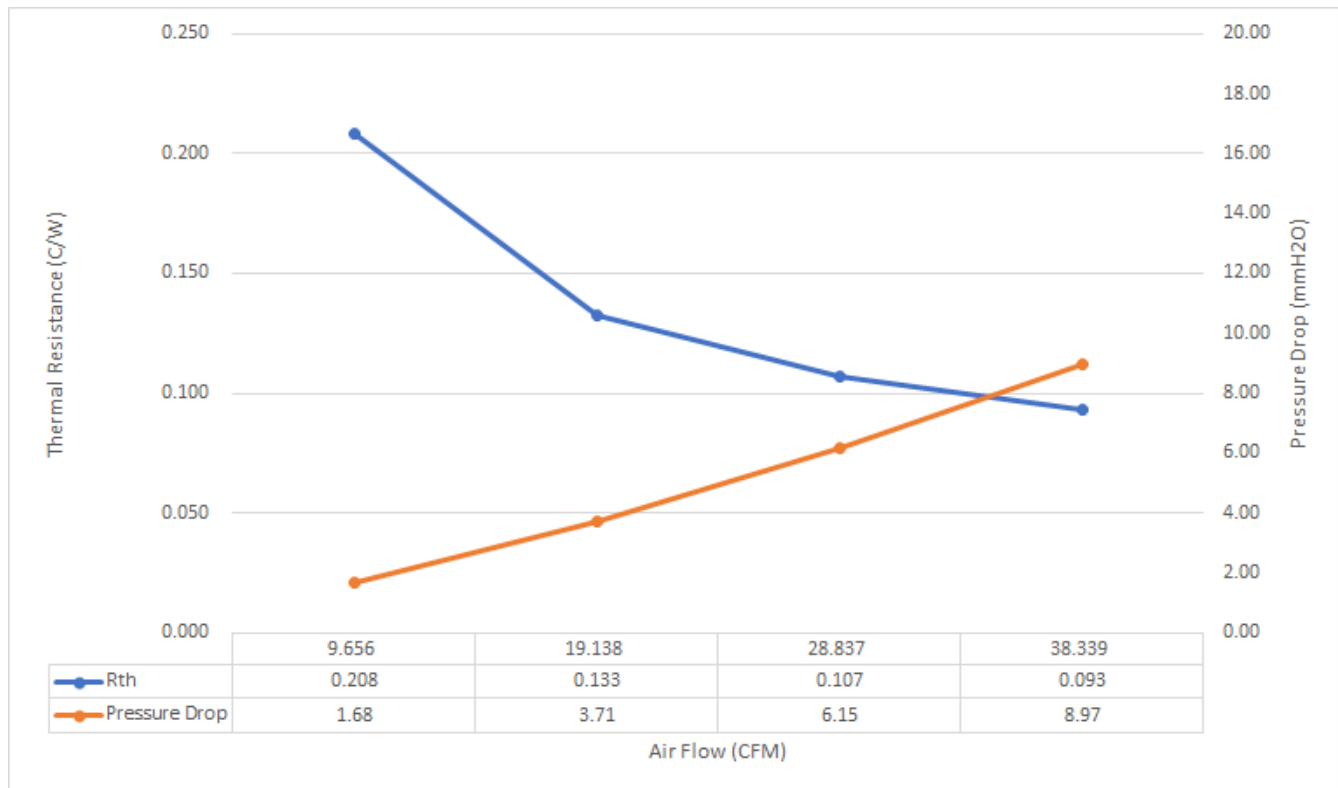
Model Number: A53

- Recommend for AMD® CPU as following
 - AMD® EPYC™ Processor, Socket SP6
- Passive Air Cooler for 2U Server and Up

Overall Specification

Dimension	113.0 x 80.0 x 64.0 mm
Weight	424g
Material	Aluminum Base, Aluminum Stacked Fin with Heatpipe Embedded
Thermal Grease	Shin-Etsu 7762 or Equivalent
TDP	SP6: 225W TR5: 350W

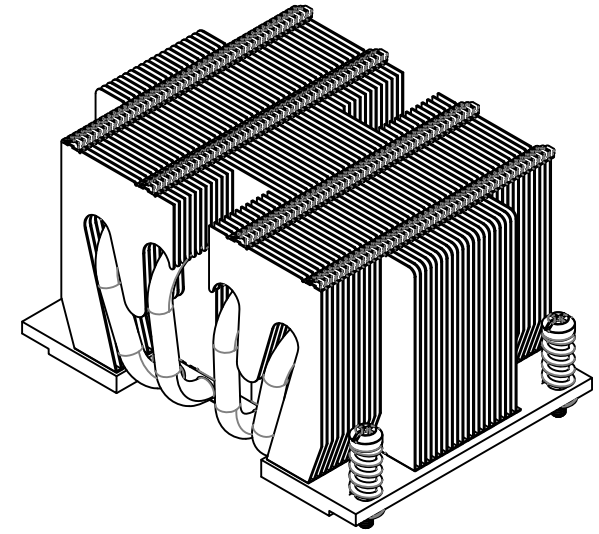
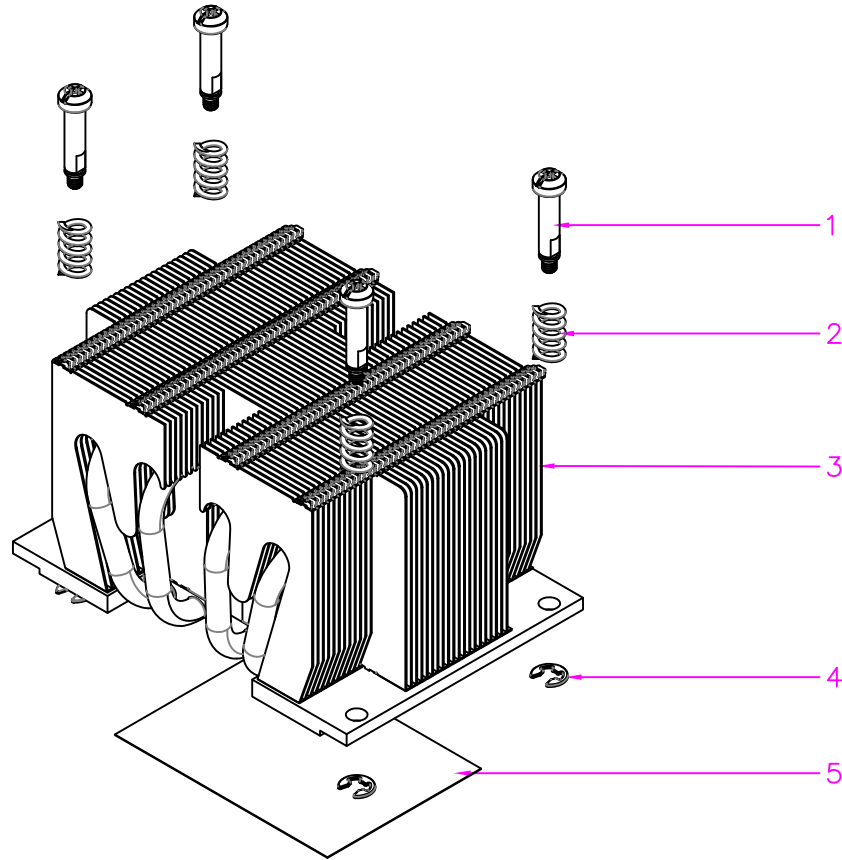
Performance Chart: Passive Cooler A53 Thermal Resistance vs. Air Flow Rate




CONFIDENTIAL DOCUMENT

THIS DRAWING CONTAINS INFORMATION PROPRIETARY TO DYNATRON CORPORATION AND DYNAEON INDUSTRIAL CO., LTD. ANY REPRODUCTION, DISCLOSURE, OR USE OF THIS DRAWING IS EXPRESSLY PROHIBITED EXCEPT AS DYNATRON CORPORATION AND DYNAEON INDUSTRIAL CO., LTD. MAY OTHERWISE AGREE TO IN WRITING.

REV#	DESCRIPTION	CHECKER	DATE
0.0	INITIAL RELEASE	Engr.	06/30/23
0.1	THERMAL GREASE SIZE UPDATE	Engr.	07/01/23

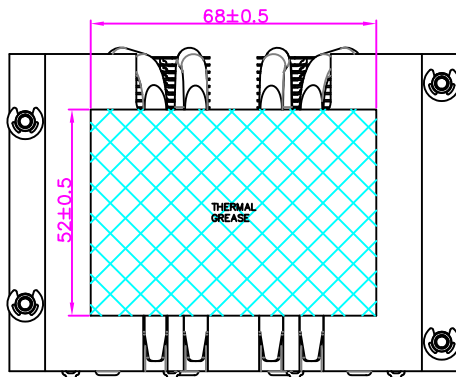
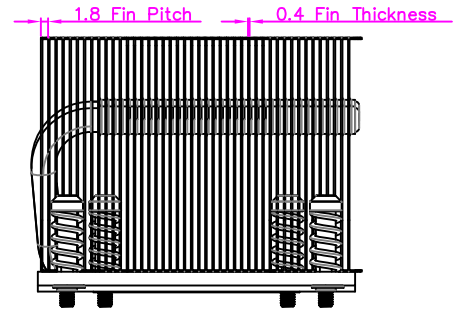
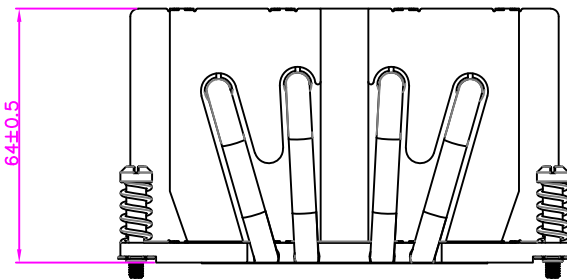
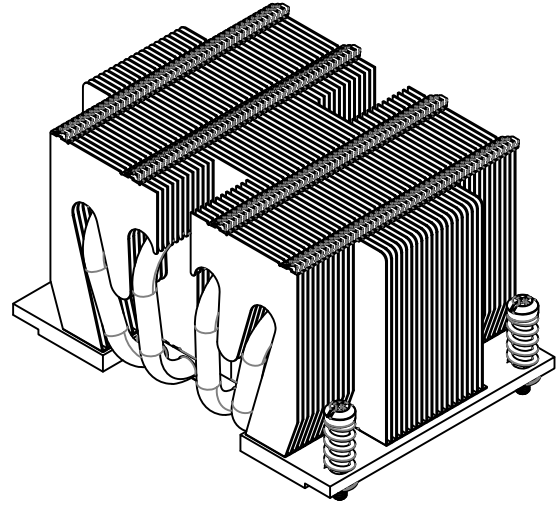
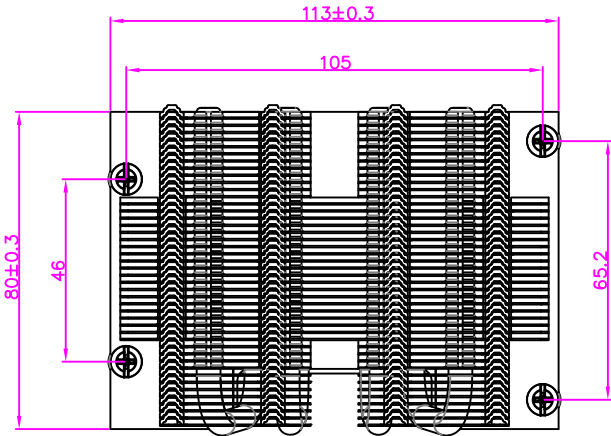


5	THERMAL GREASE	SHIN-ETSU X-23-7762	1
4	HEATSINK CLIP	STEEL	4
3	HEATSINK	HEAT PIPES, AL BASE, AL FINS	1
2	HEATSINK SPRING (0890)	SWP	4
1	HEATSINK SCREW (4380)	STEEL	4
ITEM #	DESCRIPTION	MATERIAL	QTY.

	DATE	NAME	 DYNATRON CORPORATION
DRAWN	07/01/23	Engr.	
CHECKED	07/01/23	Engr.	
ENG. APPR.			
MFG. APPR.			
TITLE: 2U Air Cooler A53 BOM & Exploded Assembly Drawing			
COMMENTS:			DWG. No: DYN-EP-A53
			REV 0.1

NOTES:
1. THE FIGURE IS FOR REFERENCE ONLY, AND NOT FOR SCALE

REV#	DESCRIPTION	CHECKER	DATE
0.0	INITIAL RELEASE	ENGR	08/29/23
0.1	THERMAL GREASE SIZE UPDATE	ENGR	07/20/23



	NAME	DATE
DRAWN BY	ENGR	07/01/2023
CHECKED BY	ENGR	07/01/2023
ENG. APPROVED		
MFG. APPROVED	-	-



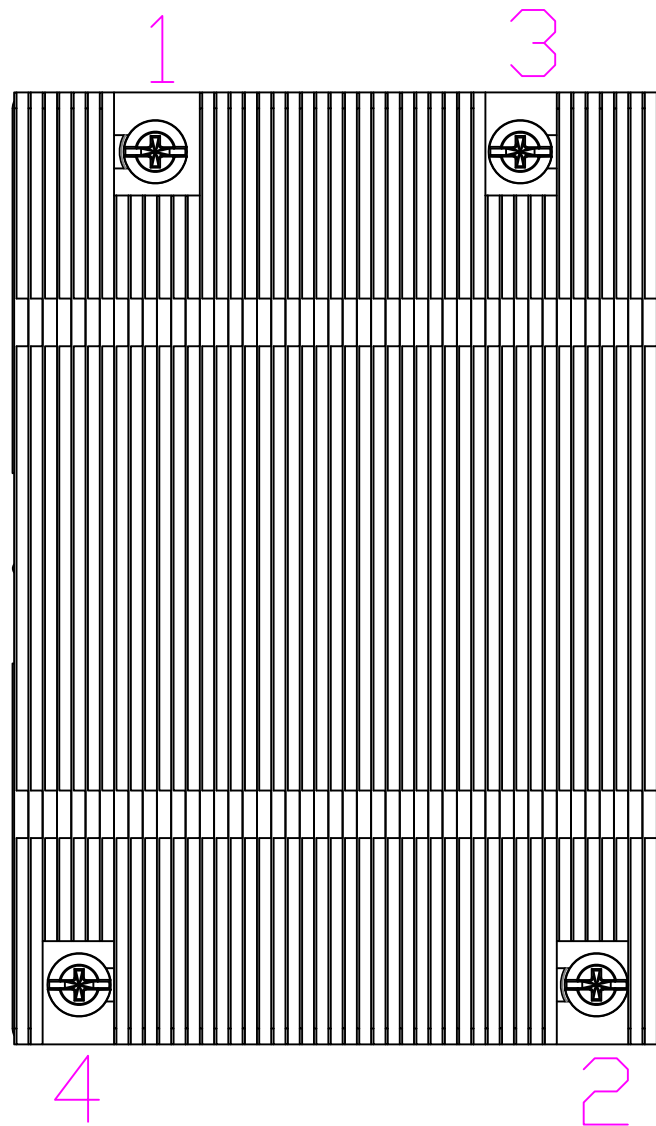
DYNATRON CORPORATION

TITLE: 2U Air Cooler A53
Overall Dimension Drawing

CONFIDENTIAL DOCUMENT
THIS DRAWING CONTAINS INFORMATION PROPRIETARY TO DYNATRON CORPORATION AND DYNAEON INDUSTRIAL CO., LTD. ANY REPRODUCTION, DISCLOSURE, OR USE OF THIS DRAWING IS EXPRESSLY PROHIBITED EXCEPT AS DYNATRON CORPORATION AND DYNAEON INDUSTRIAL CO., LTD. MAY OTHERWISE AGREE TO IN WRITING.

VIEW		DWG. No:	REV.
UNITS	MM	DYN-DM-A53	0.1

SOCKET SP6 COOLER INSTALLATION INSTRUCTION



HEATSINK ASSEMBLY
ORDER 1,2,3,4

HEATSINK DISASSEMBLY
ORDER 4,3,2,1

TORQUE = 12.5 - 15.1 KG -CM

ALL SCREWS SHOULD BE
TIGHTENED/RELEASED EVENLY, AVOIDING
TIGHTENING/RELEASING ANY SCREWS TO THE
BOTTOM/TOP AT ONCE

Publication History:

07/01/2023: Thermal Grease Size Update

06/30/2023: Initial Release

(Specifications are subject to change without notice)